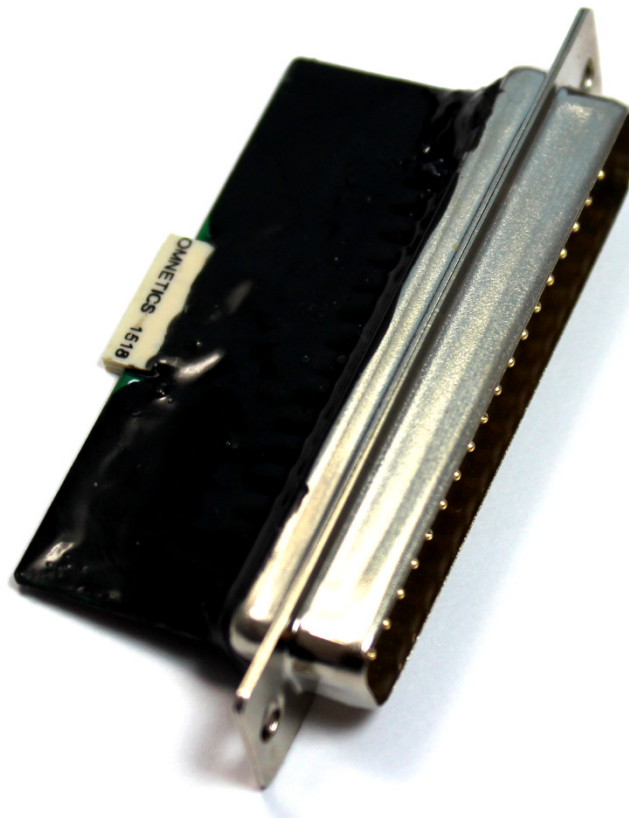


Blackrock TBSI to CerePlex M Adapter

PN-9983, PN-9996



Blackrock Microsystems, LLC

630 Komas Drive • Suite 200
Salt Lake City • UT 84108

T: +1 (801) 582-5533


www.blackrockmicro.com

support@blackrockmicro.com

1 Introduction

The TBSI to Omnetics Adapter provides an interface between TBSI Receiver and a Blackrock Cereplex M 32-Channel Headstage. The Adapter has a built in 1/20x reduction.

2 Caution

	IEC60101-0102	Danger of Electrostatic Discharge (ESD)
---	---------------	---

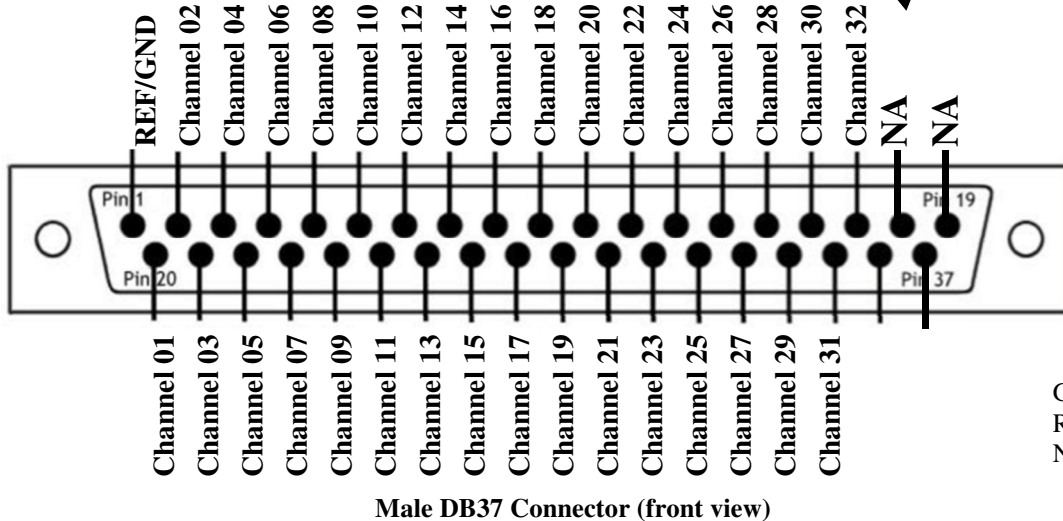
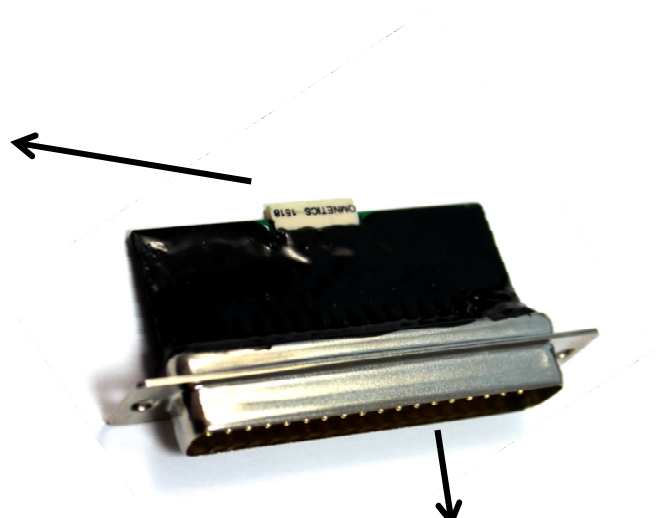
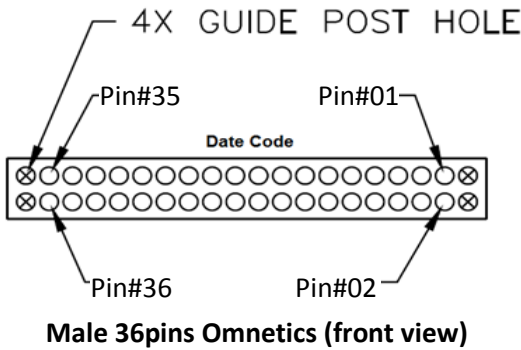
- In order to reduce the likelihood of ESD, use antistatic or electrostatic discharge (ESD) safe gloves when connecting the Adapter.

3 Warning (Not for Human Use)

The TBSI to CerePlex M Adapter is intended for animal research purposes ONLY.

4 Hardware

4.1 32-CH TBSI to CerePlex M Adapter PN-9983

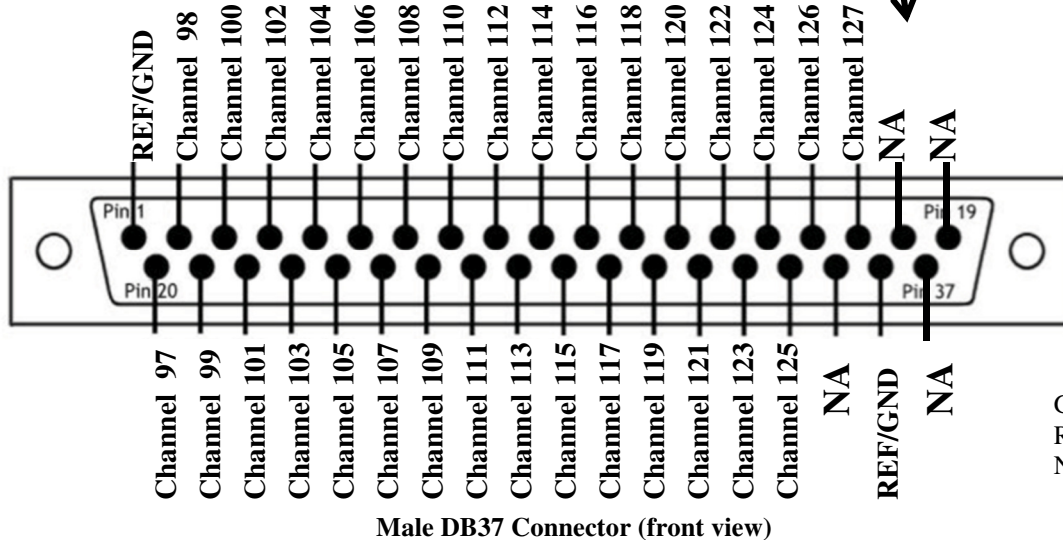
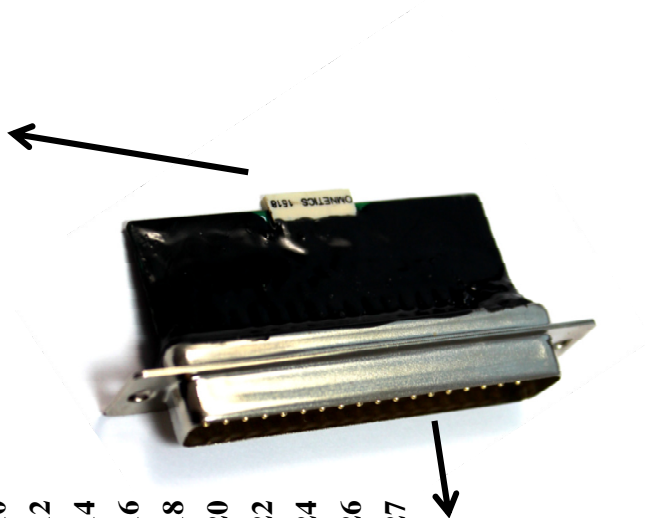
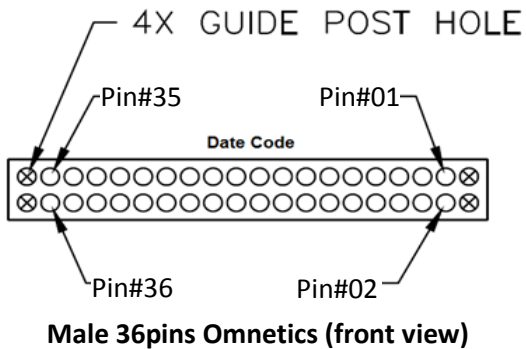


GND = Ground
REF = Reference
NA = Not Available

Male DB37 Connector	Signal	Male 36 pins Omnetics	Signal
Pin# 01	REF/GND	Pin# 01	REF/GND
Pin# 02	CH-02	Pin# 02	REF/GND
Pin# 03	CH-04	Pin# 03	CH-01
Pin# 04	CH-06	Pin# 04	CH-02
Pin# 05	CH-08	Pin# 05	CH-03
Pin# 06	CH-10	Pin# 06	CH-04
Pin# 07	CH-12	Pin# 07	CH-05
Pin# 08	CH-14	Pin# 08	CH-06
Pin# 09	CH-16	Pin# 09	CH-07
Pin# 10	CH-18	Pin# 10	CH-08
Pin# 11	CH-20	Pin# 11	CH-09
Pin# 12	CH-22	Pin# 12	CH-10
Pin# 13	CH-24	Pin# 13	CH-11
Pin# 14	CH-26	Pin# 14	CH-12
Pin# 15	CH-28	Pin# 15	CH-13
Pin# 16	CH-30	Pin# 16	CH-14
Pin# 17	CH-32	Pin# 17	CH-15
Pin# 18	NA	Pin# 18	CH-16
Pin# 19	NA	Pin# 19	CH-17
Pin# 20	CH-01	Pin# 20	CH-18
Pin# 21	CH-03	Pin# 21	CH-19
Pin# 22	CH-05	Pin# 22	CH-20
Pin# 23	CH-07	Pin# 23	CH-21
Pin# 24	CH-09	Pin# 24	CH-22
Pin# 25	CH-11	Pin# 25	CH-23
Pin# 26	CH-13	Pin# 26	CH-24
Pin# 27	CH-15	Pin# 27	CH-25
Pin# 28	CH-17	Pin# 28	CH-26
Pin# 29	CH-19	Pin# 29	CH-27
Pin# 30	CH-21	Pin# 30	CH-28
Pin# 31	CH-23	Pin# 31	CH-29
Pin# 32	CH-25	Pin# 32	CH-30
Pin# 33	CH-27	Pin# 33	CH-31
Pin# 34	CH-29	Pin# 34	CH-32
Pin# 35	CH-31	Pin# 35	REF/GND
Pin# 36	REF/GND	Pin# 36	REF/GND
Pin# 37	NA	NA	NA

Adapter Pinout

4.2 31-CH TBSI to CerePlex M Adapter PN-9996



GND = Ground
REF = Reference
NA = Not Available

Male DB37 Connector	Signal	Male 36 pins Omnetics	Signal
Pin# 01	REF/GND	Pin# 01	REF/GND
Pin# 02	CH-98	Pin# 02	REF/GND
Pin# 03	CH-100	Pin# 03	CH-97
Pin# 04	CH-102	Pin# 04	CH-98
Pin# 05	CH-104	Pin# 05	CH-99
Pin# 06	CH-106	Pin# 06	CH-100
Pin# 07	CH-108	Pin# 07	CH-101
Pin# 08	CH-110	Pin# 08	CH-102
Pin# 09	CH-112	Pin# 09	CH-103
Pin# 10	CH-114	Pin# 10	CH-104
Pin# 11	CH-116	Pin# 11	CH-105
Pin# 12	CH-118	Pin# 12	CH-106
Pin# 13	CH-120	Pin# 13	CH-107
Pin# 14	CH-122	Pin# 14	CH-108
Pin# 15	CH-124	Pin# 15	CH-109
Pin# 16	CH-126	Pin# 16	CH-110
Pin# 17	CH-127	Pin# 17	CH-111
Pin# 18	NA	Pin# 18	CH-112
Pin# 19	NA	Pin# 19	CH-113
Pin# 20	CH-97	Pin# 20	CH-114
Pin# 21	CH-99	Pin# 21	CH-115
Pin# 22	CH-101	Pin# 22	CH-116
Pin# 23	CH-103	Pin# 23	CH-117
Pin# 24	CH-105	Pin# 24	CH-118
Pin# 25	CH-107	Pin# 25	CH-119
Pin# 26	CH-109	Pin# 26	CH-120
Pin# 27	CH-111	Pin# 27	CH-121
Pin# 28	CH-113	Pin# 28	CH-122
Pin# 29	CH-115	Pin# 29	CH-123
Pin# 30	CH-117	Pin# 30	CH-124
Pin# 31	CH-119	Pin# 31	CH-125
Pin# 32	CH-121	Pin# 32	CH-126
Pin# 33	CH-123	Pin# 33	CH-127
Pin# 34	CH-125	Pin# 34	NA
Pin# 35	NA	Pin# 35	REF/GND
Pin# 36	REF/GND	Pin# 36	REF/GND
Pin# 37	NA	NA	NA

Adapter Pinout

5 Warranty

Blackrock Microsystems, LLC warrants that its products are free from defects in materials and manufacturing for a period of one year from the date of shipment. Blackrock will, at its option, repair or replace any product that does not comply with this warranty. This warranty is voided by:

1. Any modification or attempted modification to the product done by anyone other than an authorized Blackrock employee
2. Any abuse, negligent handling or misapplication of the product.

This constitutes the sole warranty made by Blackrock, There are no other warranties, expressed or implied, which extend beyond those described herein or to anyone other than the original purchaser, including the implied warranties of merchantability and fitness for a particular purpose. In no event shall Blackrock Microsystems, LLC be liable for any incidental or consequential damages, or for the infringement of any patent rights or third party rights due to the use of its products.

5.1 Return Merchandise Authorization (RMA)

In the unlikely event that your adapter needs to be returned to Blackrock for repair or maintenance, do not send any equipment back without a Return Merchandise Authorization Number. An RMA number will be issued to you by a Blackrock representative. If you need to obtain an RMA number, you may contact a product support representative at (801) 582-5533 or toll free at (866) 806-3692.

Once an RMA number has been issued, it is important to safely pack the returned item for shipping back to Blackrock. It is preferred that you save the original boxes and packing materials that your system arrived in for return shipment. Please address the package as follows:

Blackrock Microsystems, LLC
ATTN: RMA#
630 Komas Drive, Suite 200
Salt Lake City, UT 84108 USA
Tel: +1 (801) 582-5533